

Dimension & Design

S743 Lug-Type Butterfly Valves

ANSI Class 300: 3" ~ 12" (DN80 ~ 300)

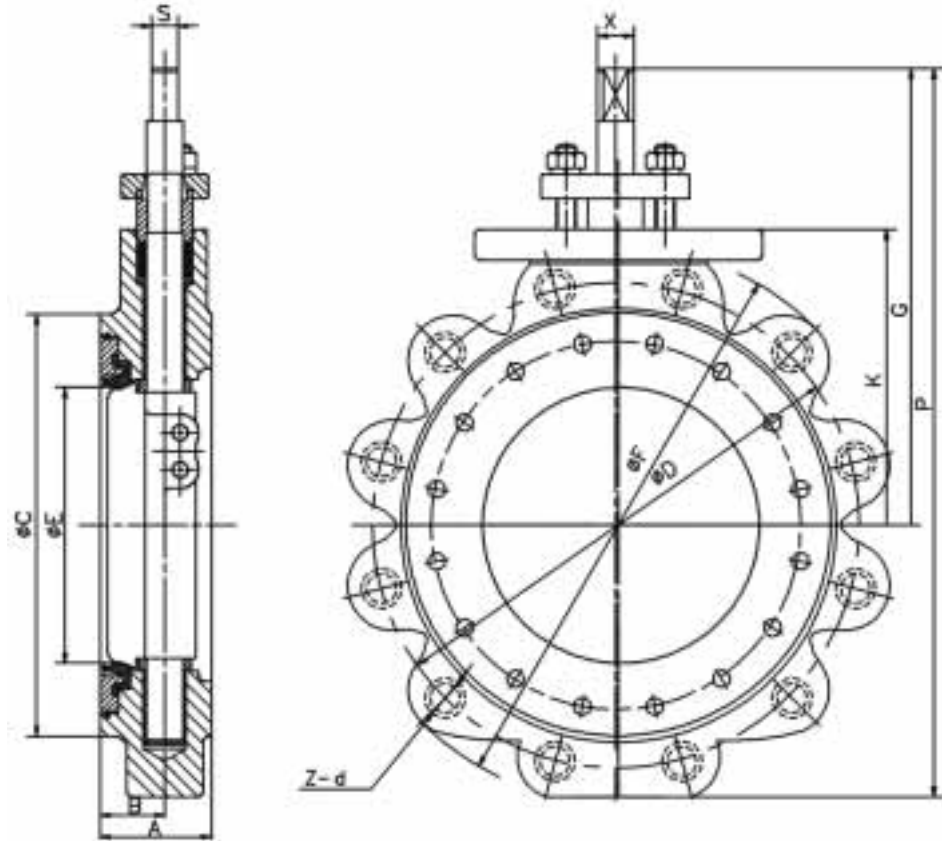


Table 7

SIZE (inch)	DIMENSION (inch)													WEIGHT (pound)
	A	B	C	D	E	F	G	K	d	Z	P	S	X	
3	1.94	1.06	5.19	6.63	2.88	8.13	8.00	4.75	M20	8	12.44	0.44	0.63	20
4	2.13	1.19	6.19	7.88	3.75	9.38	8.50	5.25	M20	8	13.44	0.44	0.63	29
6	2.31	1.34	8.50	10.63	5.59	12.13	10.13	6.88	M20	12	16.25	0.63	0.88	52
8	2.88	1.56	10.63	13.00	7.41	15.00	12.06	8.38	M22	12	19.50	0.81	1.13	92
10	3.25	1.75	12.75	15.25	9.28	17.50	13.88	10.00	M27	16	23.31	0.94	1.38	160
12	3.63	1.97	15.00	17.75	11.09	20.25	15.31	11.13	M30	16	26.56	1.13	1.63	220

Table 7'

SIZE (mm)	DIMENSION (mm)													WEIGHT (Kg)
	A	B	C	D	E	F	G	K	d	Z	P	S	X	
80	49	27	132	168	73	207	203	121	M20	8	316	11	16	9
100	54	30	157	200	95	238	216	133	M20	8	341	11	16	13
150	59	34	216	270	142	308	257	175	M20	12	413	16	22	24
200	73	40	270	330	188	381	306	213	M22	12	495	21	29	42
250	83	44	324	387	236	445	353	254	M27	16	592	24	35	73
300	92	50	381	451	282	514	389	283	M30	16	675	29	41	100

Dimension & Design

S743 Lug-Type Butterfly Valves

ANSI Class 300: 14" ~ 36" (DN350 ~ 900)

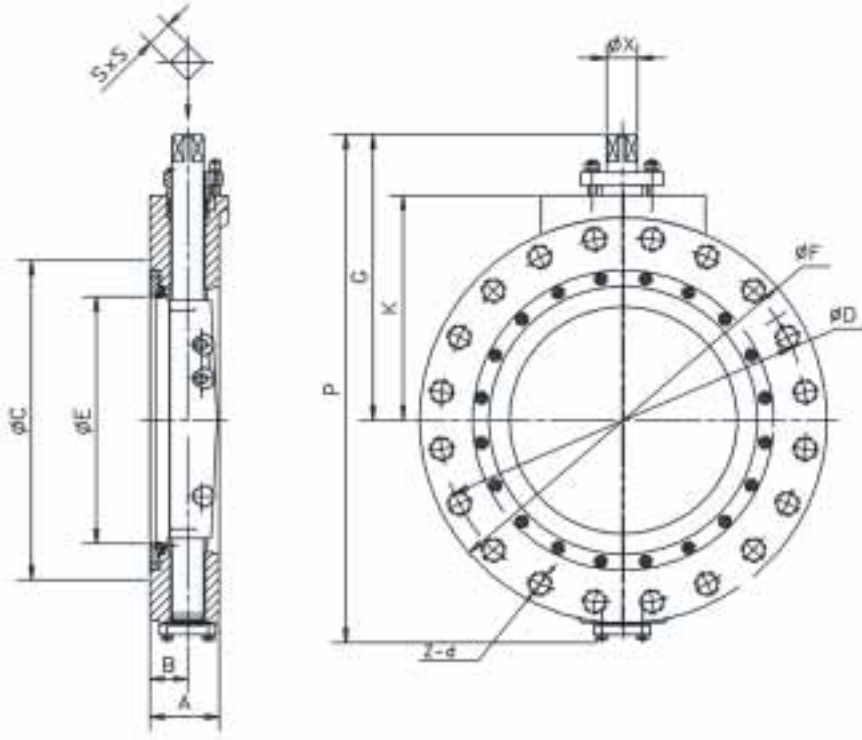


Table 8

SIZE (inch)	DIMENSION (inch)													WEIGHT (pound)
	A	B	C	D	E	F	G	K	d	Z	P	S	X	
14	4.63	2.31	16.25	20.25	12.38	23.00	17.43	12.80	M30	20	29.75	1.63	2.13	557
16	5.25	2.44	18.50	22.50	14.31	25.50	18.31	13.80	M33	20	31.75	1.63	2.13	724
18	5.88	2.94	21.00	24.75	16.28	28.00	22.34	16.71	M33	24	38.80	2.00	2.75	1110
20	6.38	3.19	23.00	27.00	17.91	30.50	23.58	17.58	M33	24	40.95	2.00	3.50	1428
24	7.25	3.63	27.25	32.00	21.63	36.00	25.96	19.71	M39	24	45.93	2.00	4.00	2170
30	10.75	5.38	33.75	39.25	27.69	43.00	37.31	25.28	M45	28	62.00	3.50*	5.50	2800
36	11.25	5.63	40.25	46.00	34.88	50.00	42.44	30.81	M52	32	72.80	4.00*	6.00	3400

* Valves of sizes from 30" to 36" have keyed stems.

Table 8'

SIZE (mm)	DIMENSION (mm)													WEIGHT (Kg)
	A	B	C	D	E	F	G	K	d	Z	P	S	X	
350	118	59	413	514	314	413	442	325	M30	20	755	41	54	167
400	133	62	470	572	363	470	465	351	M33	20	806	41	54	195
450	149	75	533	629	414	533	567	424	M33	24	985	51	70	324
500	162	81	584	686	455	584	599	447	M33	24	1040	51	89	406
600	184	92	692	813	549	692	659	501	M39	24	1166	51	102	631
750	273	137	857	997	703	1092	947	642	M45	28	1574	89*	140	1270
900	286	143	1022	1168	886	1270	1078	783	M52	32	1849	102*	152	1542

* Valves of sizes from DN750 to 900 have keyed stems.