

Dimension & Design

S741 Lug-Type Butterfly Valves

ANSI Class 150: 2 1/2" ~ 12" (DN65 ~ 300)

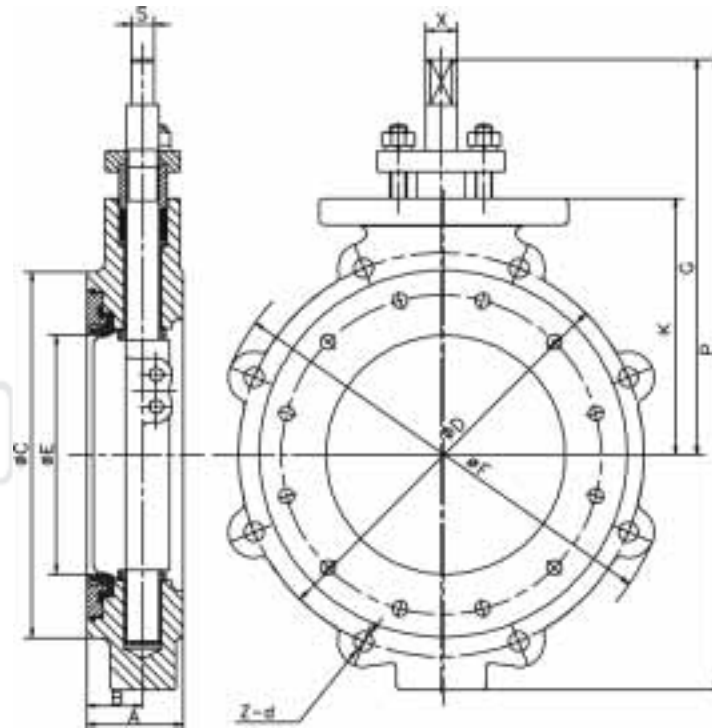


Table 3

SIZE (inch)	DIMENSION (inch)													WEIGHT (pound)
	A	B	C	D	E	F	G	K	d	Z	P	S	X	
2-1/2	1.94	1.06	4.13	5.50	2.31	7.00	7.63	4.38	M16	4	10.81	0.44	0.63	15
3	1.94	1.06	5.19	6.00	2.88	7.50	8.00	4.75	M16	4	12.44	0.44	0.63	17
4	2.13	1.19	6.19	7.50	3.75	9.00	8.50	5.25	M16	8	13.44	0.44	0.63	26
5	2.50	1.19	7.31	8.50	4.38	10.38	8.56	5.31	M20	8	13.44	0.44	0.63	40
6	2.25	1.31	8.50	9.50	5.59	11.00	9.25	6.00	M20	8	15.13	0.53	0.75	43
8	2.50	1.41	10.63	11.75	7.41	13.50	10.63	7.38	M20	8	18.25	0.63	0.88	69
10	2.81	1.63	12.75	14.25	9.28	16.00	12.81	9.13	M22	12	22.06	0.81	1.13	92
12	3.19	1.88	15.00	17.00	11.09	19.00	14.13	10.25	M22	12	24.88	0.94	1.38	140

Table 3'

SIZE (mm)	DIMENSION (mm)													WEIGHT (Kg)
	A	B	C	D	E	F	G	K	d	Z	P	S	X	
65	49	27	105	140	59	178	194	111	M16	4	275	11	16	7
80	49	27	132	152	73	191	203	121	M16	4	316	11	16	8
100	54	30	157	191	95	229	216	133	M16	8	341	11	16	12
125	64	30	186	216	111	264	217	135	M20	8	341	11	16	18
150	57	33	216	241	142	279	235	152	M20	8	384	13	19	20
200	64	36	270	298	188	343	270	187	M20	8	464	16	22	31
250	71	41	324	362	236	406	325	232	M22	12	560	21	29	42
300	81	48	381	432	282	483	359	260	M22	12	632	24	35	64

Dimension & Design

S741 Lug-Type Butterfly Valves

ANSI Class 150: 14" ~ 60" (DN350 ~ 1500)

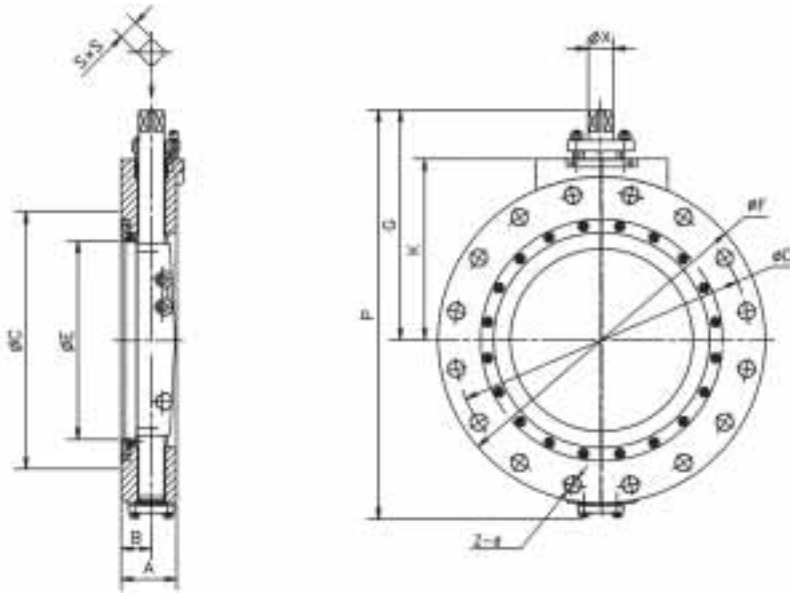


Table 4

SIZE (inch)	DIMENSION (inch)													WEIGHT (pound)
	A	B	C	D	E	F	G	K	d	Z	P	S	X	
14	3.63	2.06	16.25	18.75	12.38	16.25	16.5	12.16	Ø29	12	28.31	1.13	1.63	231
16	4.00	2.22	18.50	21.25	14.28	18.50	17.62	13.15	Ø27	16	31.14	1.63	1.88	360
18	4.50	2.63	21.00	22.75	16.28	21.00	18.35	14.03	Ø30	20	32.4	1.63	2.13	453
20	5.00	2.63	23.00	25.00	17.94	23.00	19.72	14.88	M30	20	36.26	1.63	2.38	596
24	6.06	3.00	27.25	29.50	21.63	27.25	25.04	19.28	M33	24	43.9	2.00	2.75	964
28	6.56	3.44	31.50	34.00	26.38	36.5	28.00	21.65	M33	28	49.49	2.36	3.35	1432
30	6.56	3.44	33.75	36.00	27.63	33.75	28.00	22.44	M33	28	51.44	2.36	3.35	1634
32	7.48	3.44	36.00	38.5	30.31	41.75	30.12	23.82	M39	28	52.82	2.36	3.35	1850
36	7.25	3.63	40.25	42.75	34.88	46.00	31.25	26.00	M39	32	56.38	2.36	4.00	2621
42	8.75	4.50	47.00	49.50	40.00	53.00	40.25	29.00	M39	36	68.13	4.00*	5.00	3800
48	10.00	5.13	53.50	56.00	46.00	59.50	44.50	33.25	M39	44	76.88	5.00*	5.50	4800
54	10.50	5.25	59.50	62.75	52.31	66.38	49.13	37.50	M45	44	85.75	6.00*	6.00	5800
60	11.50	5.75	66.00	69.25	57.94	73.00	57.75	41.13	M45	52	95.38	6.00*	6.50	7000

* Valves of sizes from 42" to 60" have keyed stems.

Table 4'

SIZE (mm)	DIMENSION (mm)													WEIGHT (Kg)
	A	B	C	D	E	F	G	K	d	Z	P	S	X	
350	92	52	413	476	314	413	419	309	Ø29	12	719	29	41	105
400	102	56	470	540	363	470	448	338	Ø27	16	791	41	48	163
450	114	67	533	578	414	533	466	356	Ø30	20	823	41	54	205
500	127	67	584	635	456	584	501	378	M30	20	921	41	60	270
600	154	76	692	749	549	692	636	490	M33	24	1115	51	70	437
700	167	87	800	864	670	870	710	550	M33	28	1257	60	85	650
750	167	87	857	914	702	857	730	570	M33	28	1307	60	85	741
800	190	87	914	978	770	914	765	605	M39	28	1367	60	85	840
900	184	92	1108	1086	886	1168	794	660	M39	32	1432	60	102	1189
1050	222	114	1194	1257	1016	1348	1067	737	M39	36	1731	102*	127	1724
1200	254	130	1359	1422	1168	1511	1130	845	M39	44	1953	127*	140	2177
1350	267	133	1511	1594	1329	1686	1248	953	M45	44	2178	152*	152	2631
1500	292	146	1676	1759	1472	1854	1391	1045	M45	52	2423	152*	165	3175

* Valves of sizes from DN350 to 1500 have keyed stems.