

## Dimension & Design

### S740 Wafer - Type Butterfly Valves

ANSI Class 150: 2 1/2" ~ 12" (DN65 ~ DN300)

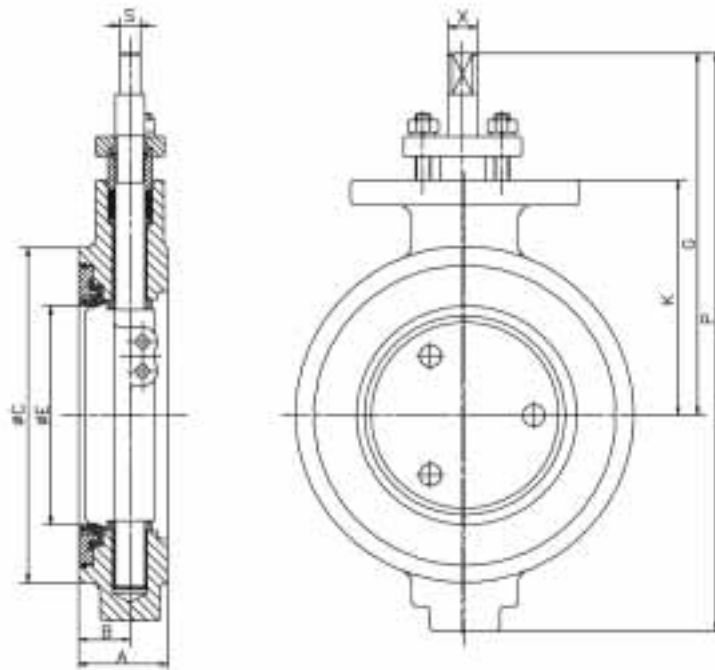


Table 1

SIZE (inch)	DIMENSION (inch)									WEIGHT (pound)
	A	B	C	E	G	K	P	S	X	
2½	1.94	1.06	4.69	2.31	7.63	4.38	10.81	0.44	0.63	11
3	1.94	1.06	5.19	2.88	8.00	4.75	12.44	0.44	0.63	13
4	2.13	1.19	6.19	3.75	8.50	5.25	13.44	0.44	0.63	18
5	2.50	1.19	7.31	4.38	8.56	5.31	14.25	0.44	0.63	27
6	2.25	1.31	8.50	5.59	9.25	6.00	15.13	0.53	0.75	28
8	2.50	1.41	10.63	7.41	10.63	7.38	18.25	0.63	0.88	45
10	2.81	1.63	12.75	9.28	12.81	9.13	22.06	0.81	1.13	78
12	3.19	1.88	15.00	11.09	14.13	10.25	24.88	0.94	1.38	112

Table 1'

SIZE (mm)	DIMENSION (mm)									WEIGHT (Kg)
	A	B	C	E	G	K	P	S	X	
65	49	27	119	59	194	111	275	11	16	5
80	49	27	132	73	203	121	316	11	16	6
100	54	30	157	95	216	133	341	11	16	8
125	64	30	186	111	217	135	362	11	16	12
150	57	33	216	142	235	152	384	13	19	13
200	64	36	270	188	270	187	464	16	22	20
250	71	41	324	236	325	232	560	21	29	35
300	81	48	381	282	359	260	632	24	35	51

# Dimension & Design

## S740 Wafer - Type Butterfly Valves

ANSI Class 150: 14" ~ 32" (DN350 ~ 800)

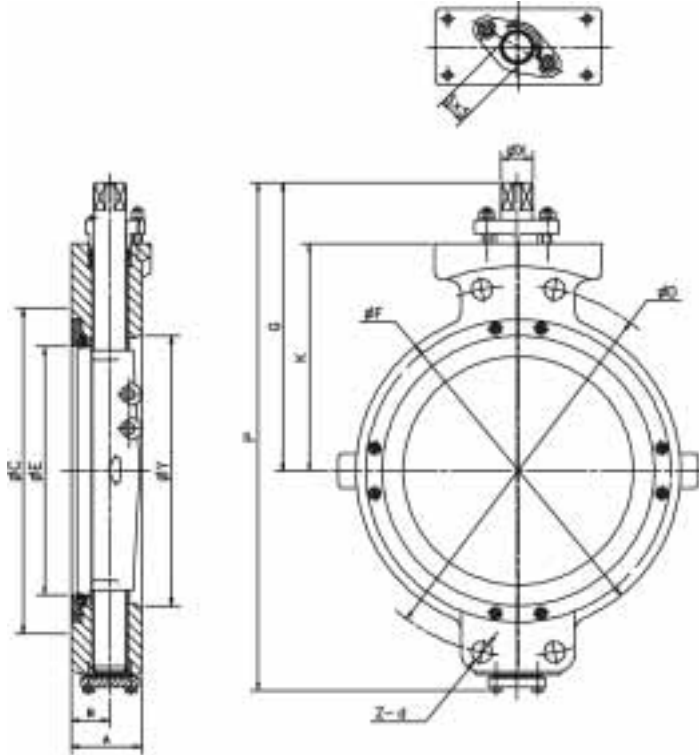


Table 2

SIZE (inch)	DIMENSION (inch)													WEIGHT (pound)
	A	B	C	D	E	F	G	K	d	Z	P	S	X	
14	3.63	2.06	16.25	18.75	12.38	16.25	16.5	12.16	Ø29	0	28.31	1.13	1.63	181
16	4.00	2.22	18.50	21.25	14.28	18.50	17.62	13.15	Ø27	4	31.14	1.63	1.88	253
18	4.50	2.63	21.00	22.75	16.28	21.00	18.35	14.03	Ø30	4	32.4	1.63	2.13	345
20	5.00	2.63	23.00	25.00	17.94	23.00	19.72	14.88	M30	4	36.26	1.63	2.38	438
24	6.06	3.00	27.25	29.50	21.63	27.25	24.04	19.28	M33	4	43.9	2.00	2.75	735
28	6.56	3.44	31.5	34	26.38	31.5	28	21.65	M33	4	49.49	2.36	3.35	1189
30	6.56	3.44	33.75	36.00	27.63	33.75	27.44	22.44	M33	4	51.44	2.36	3.35	1309
32	7.48	3.44	36	38.5	30.31	36	30.12	23.82	M39	4	52.82	2.36	3.35	1454

Table 2'

SIZE (mm)	DIMENSION (mm)													WEIGHT (Kg)
	A	B	C	D	E	F	G	K	d	Z	P	S	X	
350	92	52	413	476	314	413	419	309	Ø29	0	719	29	41	82
400	102	56	470	540	363	470	448	338	Ø27	4	791	41	48	115
450	114	67	533	578	414	533	466	356	Ø30	4	823	41	54	156
500	127	67	584	635	456	584	501	378	M30	4	921	41	60	199
600	154	76	692	749	549	692	636	490	M33	4	1115	51	70	333
700	167	87	800	864	670	800	710	550	M33	4	1257	60	85	540
750	167	87	857	914	702	857	730	570	M33	4	1307	60	85	594
800	190	87	914	978	770	914	765	605	M39	4	1367	60	85	660